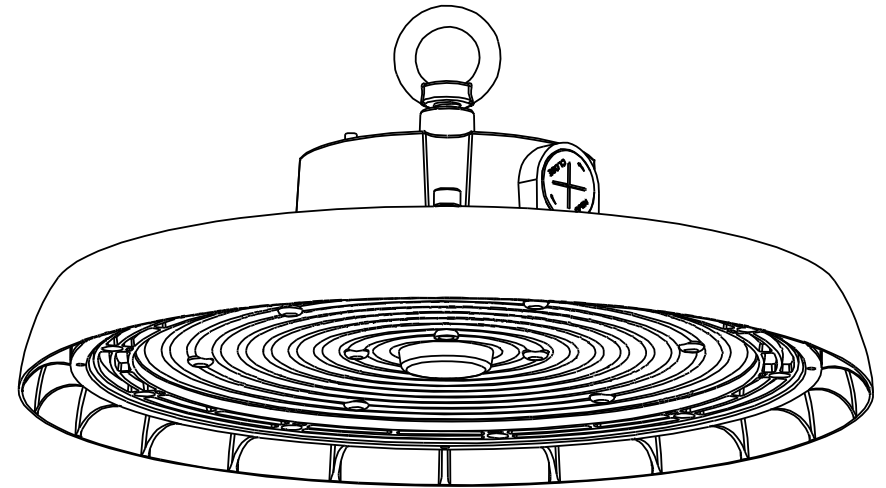


✧ **NOTE**

- Make sure electric off before installing the fixture.
- The circuit connection must be correct before connecting the wire.
- Don't worry about the heat of the surface of the lamp when it's working. It's normal situation.
- The lifespan will be shorter and the light attenuation will be faster if the lamp works on for 24 hours every day.
- Make sure output voltage within the range of rated voltage before installing the lamp.
- Regularly clean the dust on the lamp to maintain good heat dissipation performance.
- If the lamp doesn't work, don't inspect it when power is on. The lamp should be inspected and maintained by professional electrician..

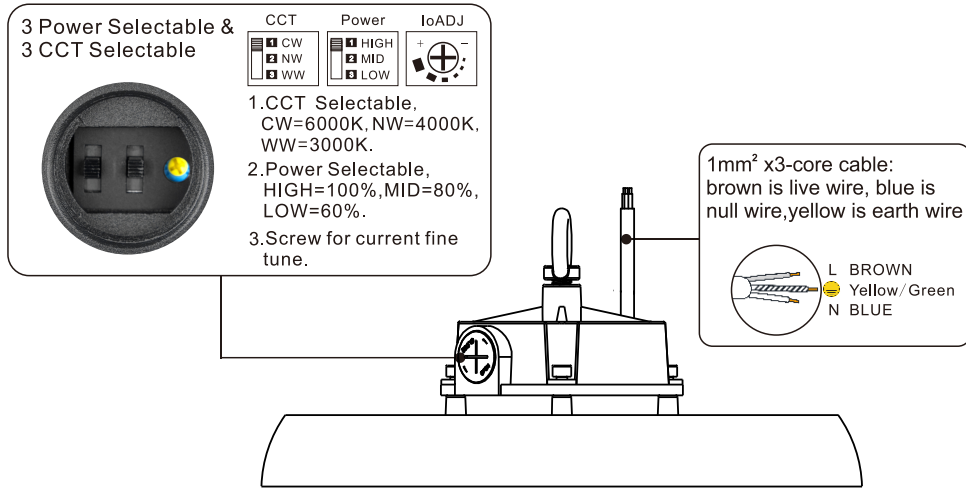
ARES LED High Bay Light



AR S-100W/200W (IP65) Instruction Manual

ARES LED High Bay light is suitable for industrial zone, big-box store, square, station, wharf, bridge, warehouse, etc.

✧ Diagram

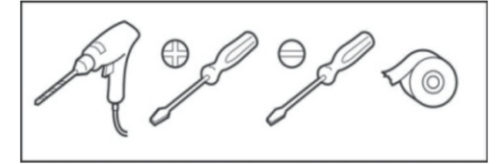


✧ Installation instructions

1. Operating voltage :AC100-277V, 50/60Hz, it may be dangerous outside this voltage range.
2. It's an indoor light. Waterproof and dust-proof, protection class Ip65. Do not install in a closed or poor air circulation environment.
3. Before installation, ensure that the wire is connected correctly, and measures must be taken at the junction to prevent leakage to avoid accidents.
4. Measures must be taken at the seams to electric shock.
5. Do not disassemble without factory permission, otherwise the performance and function will be seriously affected.

✧ Tools Recommended

- Hammer drill
- Cross screwdriver
- Shifting spanner
- Insulation tape



✧ Installation Diagram

