

DIY Linkable LED Batten Light

Note :
Please note that the lamp does not include the power cable and the hanging installation accessories. These are optional accessories. Please but separately if you need to do the hanging installation.

1. Fix the brackets with the surface mounted accessories on the ceiling
2. Push the lamp into the brackets and connect the power cord . The installation is completed .

1.5 m

OFF

ON

Triangle Connector

Note :
Please note that the lamp does not include the power cable and the hanging installation accessories. These are optional accessories. Please but separately if you need to do the hanging installation.

1. Install one of the lamps
2. Connect the Triangle Connector to the lamp.
3. Connect the rest lamps by the Triangle Connector .
4. Connect the last product to the power cord to complete the installation.

1.5 m

OFF

ON

Note :
Please note that the lamp does not include the power cable and the hanging installation accessories. These are optional accessories. Please but separately if you need to do the hanging installation.

1. Fix the brackets with the surface mounted accessories on the ceiling
2. link the lamps by the wire with connectors

It can be connected via the double cables or square adapters.

3. Push the lamp into the brackets and connect the power cord . The installation is completed .

1.5 m

OFF

ON

Square Connector

Note :
Please note that the lamp does not include the power cable and the hanging installation accessories. These are optional accessories. Please but separately if you need to do the hanging installation.

1. Install one of the lamps
2. Connect the Square Connector to the lamp.
3. Connect the rest lamps by the Square Connector .
4. Connect the last product to the power cord to complete the installation.

1.5 m

OFF

ON

DIY Linkable LED Batten System

- Step 1. Fix the self-locking parts to the ceiling .
- Step 2. Pass the rope through the hanging hammer and the self-locking sub-piece in sequence
- Step 3. Fix the bracket by the screws to the hanging hammer.
- Step 4. Push the lamp into the brackets and connect the power cord .
- Step 5. Connect the adapter to the lamp first Then connect the other lamps to different sides of the adapter. Then install the T-shape bracket at the connection position. Then fix the T-shape bracket by screws.
- Step 6. Connect the power cord. And the installation is completed

Note :
Please note that the lamp does not include the power cable and the hanging installation accessories. These are optional accessories. Please but separately if you need to do the hanging installation.

1.5 m

OFF

ON

- Step 1. Fix the self-locking parts to the ceiling .
- Step 2. Pass the rope through the hanging hammer and the self-locking sub-piece in sequence
- Step 3. Fix the bracket by the screws to the hanging hammer.
- Step 4. Push the lamp into the brackets and connect the power cord .
- Step 5. Connect the adapter to the lamp first Then connect the other lamps to different sides of the adapter. Then install the T-shape bracket at the connection position. Then fix the T-shape bracket by screws.
- Step 6. Connect the power cord. And the installation is completed

Note :
Please note that the lamp does not include the power cable and the hanging installation accessories. These are optional accessories. Please but separately if you need to do the hanging installation.

1.5 m

OFF

ON

DIY Linkable LED Batten System

Hexagonal Surface

Note :
Please note that the lamp does not include the power cable and the hanging installation accessories. These are optional accessories. Please but separately if you need to do the hanging installation.

1. Install one of the lamps
2. Connect the Triangle Connector to the lamp.
3. Connect the rest lamps by the Triangle Connector .
4. Connect the last product to the power cord to complete the installation.

1.5 m

OFF

ON

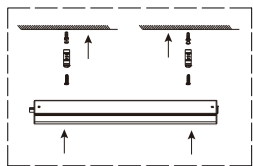
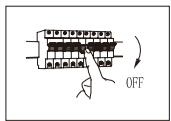
Male end

INPUT

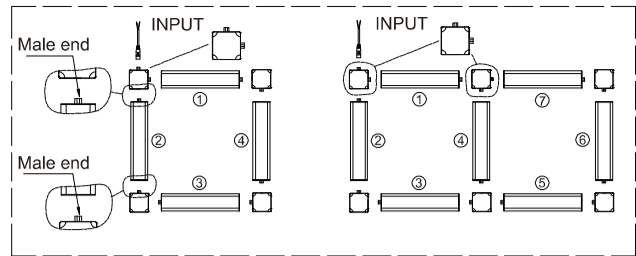
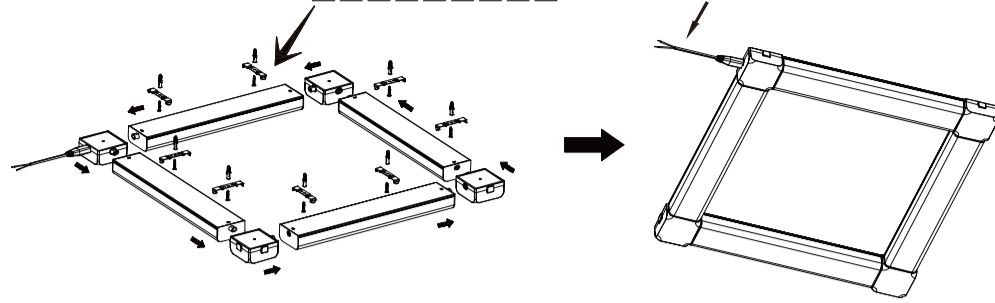
Male end

INPUT

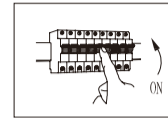
Quadrangle Surface



Note :
Please note that the lamp does not include the power cable and the hanging installation accessories. These are optional accessories. Please but separately if you need to do the hanging installation.

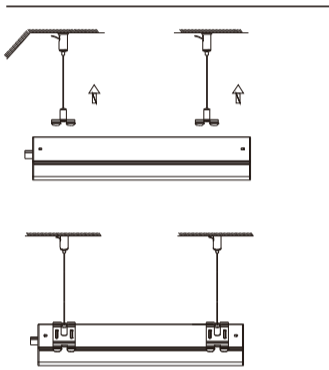
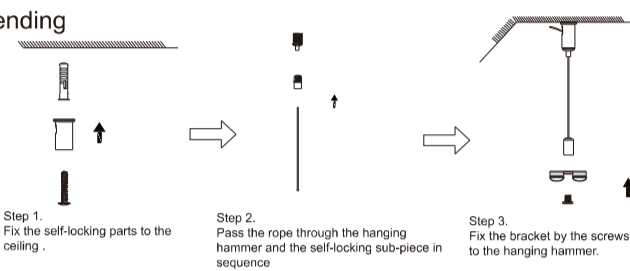
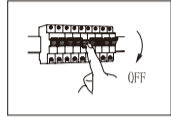


1. Install one of the lamps
2. Connect the Square Connector to the lamp.
3. Connect the rest lamps by the Square Connector .
4. Connect the last product to the power cord to complete the installation.

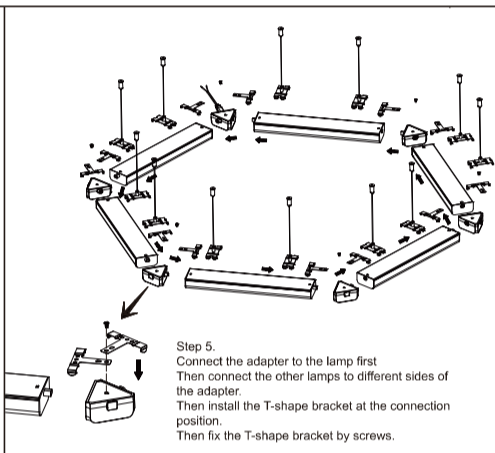


DIY Linkable LED Batten System

Hexagonal Suspending



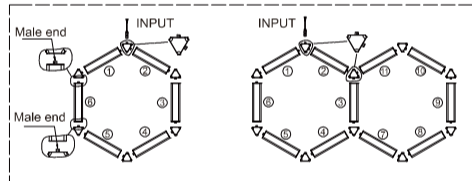
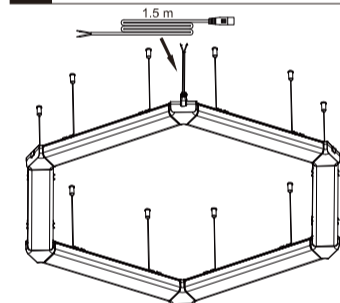
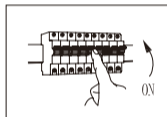
Step 4. Push the lamp into the brackets and connect the power cord.



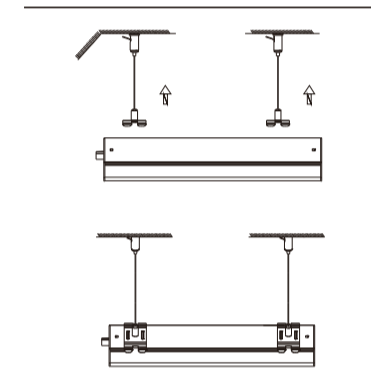
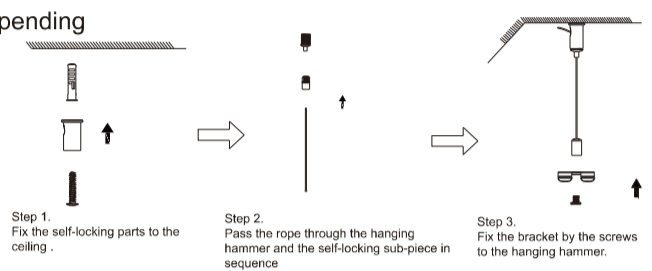
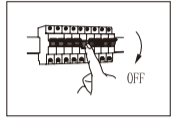
Step 5. Connect the adapter to the lamp first. Then connect the other lamps to different sides of the adapter. Then install the T-shape bracket at the connection position. Then fix the T-shape bracket by screws.

Note :
Please note that the lamp does not include the power cable and the hanging installation accessories. These are optional accessories. Please but separately if you need to do the hanging installation.

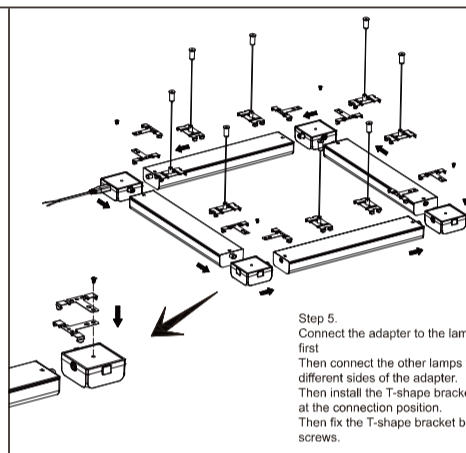
Step 6. Connect the power cord. And the installation is completed



Quadrangle Suspending



Step 4. Push the lamp into the brackets and connect the power cord.



Step 5. Connect the adapter to the lamp first. Then connect the other lamps to different sides of the adapter. Then install the T-shape bracket at the connection position. Then fix the T-shape bracket by screws.

Note :
Please note that the lamp does not include the power cable and the hanging installation accessories. These are optional accessories. Please but separately if you need to do the hanging installation.

Step 6. Connect the power cord. And the installation is completed

